

**MATERIAL SPECIFICATIONS:**

Body & Housing: PA, UL-94V-0 rated, color black  
 Contacts: Brass, Gold plated

**MECHANICAL SPECIFICATIONS:**

Wire gauge: 0.25mm<sup>2</sup> / 24AWG  
 Durability: 500 mating cycles min.

**ELECTRICAL SPECIFICATIONS:**

Rated current / voltage:  
 3 contact = 3A / 125V per contact  
 4 contact = 2.5A / 125V per contact  
 5 contact = 2A / 63V per contact  
 8 contact = 1A / 63V per contact

Contact resistance: 3 mohms max.

**Rated impulse voltage:**

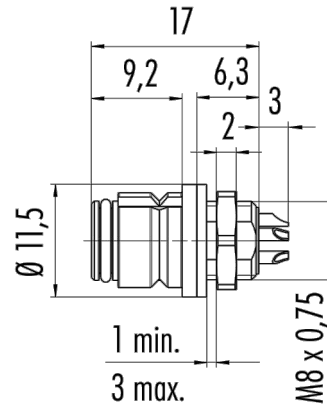
3A & 2.5A = 1500V  
 2A & 1A = 800V

**IEC/UL 61010-1 SPECIFICATIONS:**

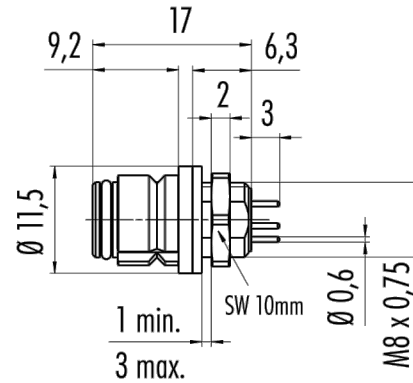
Material group: I, II  
 Overload category: II  
 Pollution degree: 2

**ENVIRONMENTAL SPECIFICATIONS:**

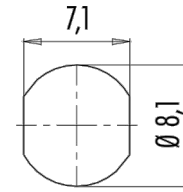
Degree of Protection: IP67  
 Operating Temperature: -25°C ~ +85°C



SOLDER TERMINALS



PCB PINS



PANEL CUTOUT

**ORDERING CODE:**

PD-HEC3-FPC-\_-\_-\_-  
 X1 X2 X3

**X1) Terminals:**

Solder = S  
 PCB Pin = P

**X2) No. of Contacts:**

3, 4, 5 or 8

**X3) Housing Color:**

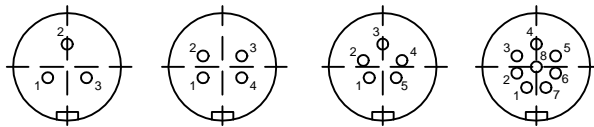
Black = B  
 Blue = BL  
 Red = R  
 Green = G

**NOTES:**

Rear Mount Adapter p/n PD-HEC3-RMA  
 Front Mount Adapter p/n PD-HEC3-FMA

TOLERANCE UNLESS OTHERWISE SPECIFIED	
X	± 1
X.X	± 0.4
X.XX	± 0.13
DRAWN BY	PB
DATE:	7/30/15
CHECK BY	
DATE:	
APPR BY	
DATE:	

<b>Power Dynamics, Inc.</b>	
Phone: 973 560-0019 Whippany, New Jersey Fax: 973 560-0076	
PART: IP67 DUSTPROOF / WATERPROOF FEMALE SNAP LOCK PANEL CONNECTOR	
<b>PD-HE3-FPC-X-X-X</b>	
PART #:	SHEET 1 of 1
SIZE: A	ALL DIMENSIONS FOR REFERENCE ONLY DIMENSIONS ARE IN MILLIMETERS
SCALE: NTS	
REV:	



CONTACT ARRANGEMENT

REVISIONS	CHNG	CHK	APPR
	CHANGE		
	REV	DATE	